

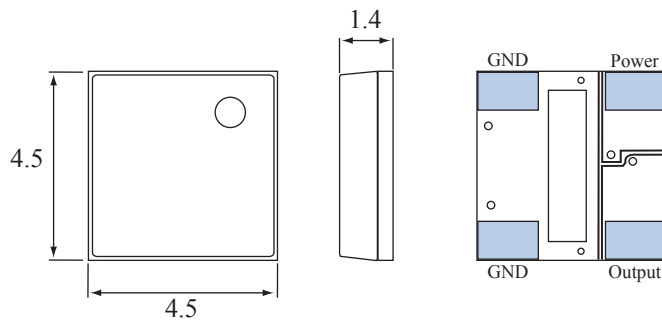
SMD Silicon Microphone

Features and Applications



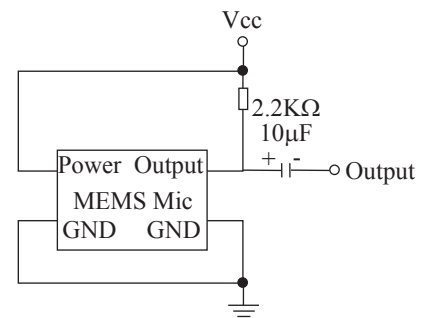
- Omnidirectional Silicon Microphone
- SMT, Reflow compatible, RoHS Compliant
- Low Impedance, Excellent Signal to Noise Ratio
- Operating Temperature Range : -40°C to +100°C
- Storage Temperature Range : -40°C to + 125°C
- Applications include Communication Equipment, Security and Home Alert, Mobile Phones, Laptops, PDAs, Computers &
- Audio Input Peripherals, etc.

Package Outline Dimensions



Unit : mm Tolerance : ±0.3mm

Interface Circuit

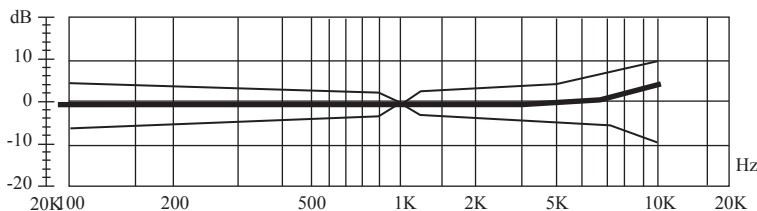


Electrical Characteristics

Part Number	*Sensitivity (dB)	Operating Voltage Range (V)	Output Impedance (Ω)	Current Consumption (μA)	Frequency Range (Hz)	S/N Ratio (dB)	Filtering Capacitors (pF)
NSS-45142233A	-22 ±3	1.5 ~ 3.6	≤ 100	≤ 350	100 ~ 16000	≥ 58	10 and 33
NSS-45142733A	-27 ±3	1.5 ~ 3.6	≤ 100	≤ 350	100 ~ 16000	≥ 58	10 and 33
NSS-45143233A	-32 ±3	1.5 ~ 3.6	≤ 100	≤ 350	100 ~ 16000	≥ 58	10 and 33
NSS-45144233A	-42 ±3	1.5 ~ 3.6	≤ 100	≤ 350	100 ~ 16000	≥ 58	10 and 33

Specification (all data taken at 25°C unless otherwise specified)

Frequency Response



Specification subject to change without prior notice

NICOMATIC (UK) LTD

Unit 8, Campus Five, Third Avenue, Letchworth, Hertfordshire SG6 2JF England

Tel: +44(0)1462 677886 Fax: +44(0)1462 677499

email: sales@nicomatic.co.uk http: //www.nicomatic.co.uk

Dec 07/02