

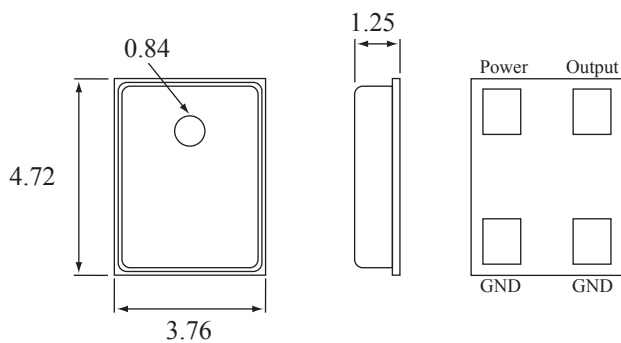
SMD Silicon Microphone

Features and Applications



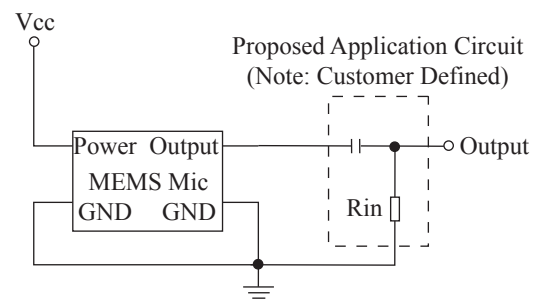
- Omnidirectional Silicon Microphone
- SMT, Reflow compatible, RoHS Compliant
- Low Impedance, Excellent Signal to Noise Ratio
- Operating Temperature Range : -40°C to +100°C
- Storage Temperature Range : -40°C to + 125°C
- Applications include Communication Equipment, Security and Home Alert, Mobile Phones, Laptops, PDAs, Computers & Audio Input Peripherals, etc.

Package Outline Dimensions



Unit : mm Tolerance : ±0.3mm

Interface Circuit



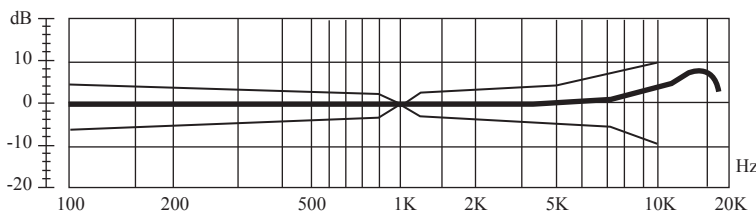
Electrical Characteristics

Part Number	*Sensitivity (dB)	Operating Voltage Range (V)	Output Impedance (Ω)	Current Consumption (μ A)	Frequency Range (Hz)	S/N Ratio (dB)	Filtering Capacitors (pF)
NSS-47124215A	-42 ±3	1.5 ~ 3.6	≤ 100	≤ 150	100 ~ 16000	≥ 57	10 and 33

Specification (all data taken at 25°C unless otherwise specified)

*Condition : 0dB =1V/pa, 1kHz, Different sensitivity level is available upon request

Frequency Response



Specification subject to change without prior notice

NICOMATIC (UK) LTD

Unit 8, Campus Five, Third Avenue, Letchworth, Hertfordshire SG6 2JF England

Tel: +44(0)1462 677886 Fax: +44(0)1462 677499

email: sales@nicomatic.co.uk <http://www.nicomatic.co.uk>

Dec 07/02